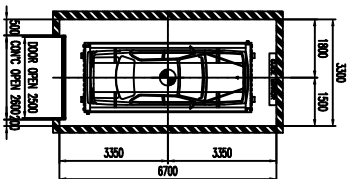
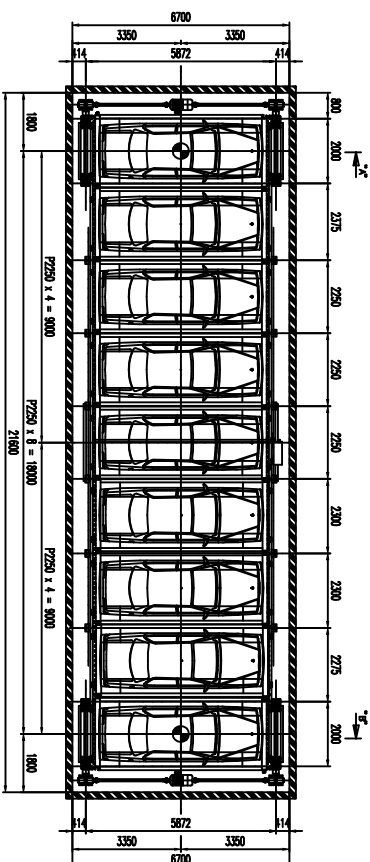


MULTILEVEL CIRCULATION SYSTEM - UPPER ENTRY WITH TURNABLE
 DK-CG-H4-30-2200K (SUV)

DAE DUCK ENGINEERING CO., LTD.



ENTRANCE TOP VIEW

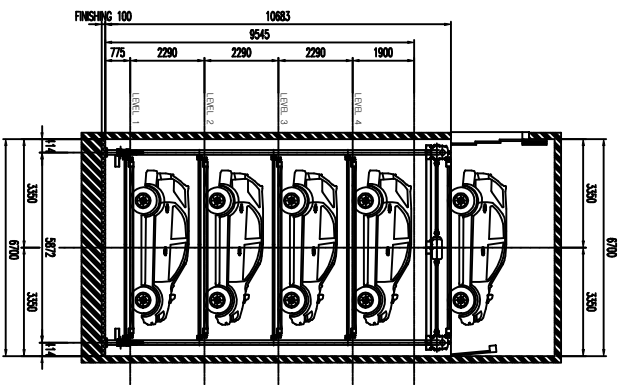


TOP VIEW

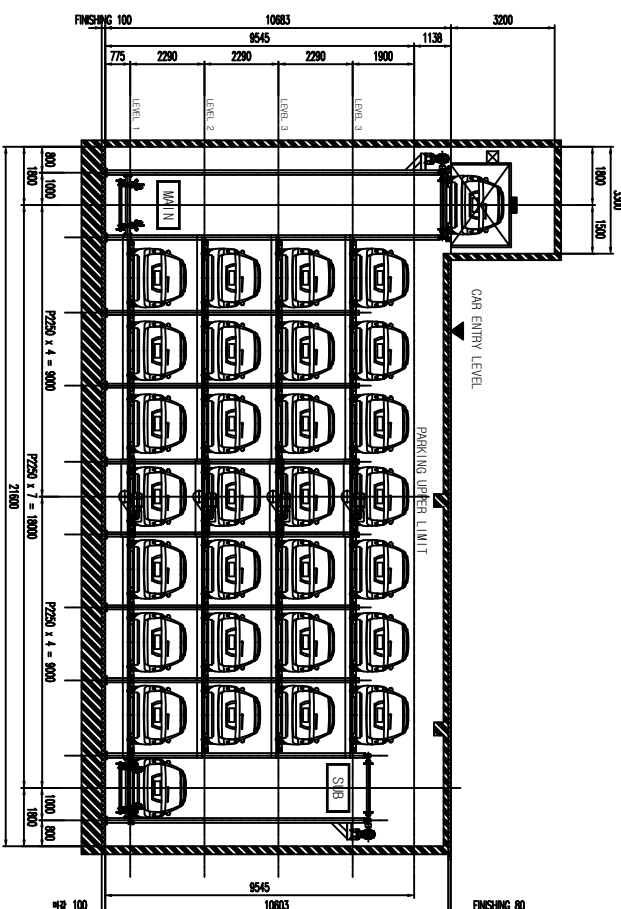
SPECIFICATION

MODEL	MULTILEVEL CIRCULATION SYSTEM
TURNABLE	
TYPE	DK-CG-H4-30
NUMBER OF CARS	SUV, 30 CARS
DRIVING TYPE	ROLLER CHAIN
MAIN LIFT	DRIVING SPEED 20 m/min
DRIVING MOTOR	15 kw
DRIVING TYPE	MOTOR OPERATED
SLIDING	
SPEED	30 m/min
MOTOR	3.7kw ~ 5.5kw
TYPE	
TURNABLE	
SPEED	
MOTOR	
OPERATION	TOUCH SCREEN TYPE
ELECTRIC POWER SOURCES	380V/40Hz/3Φ/4W/20KW

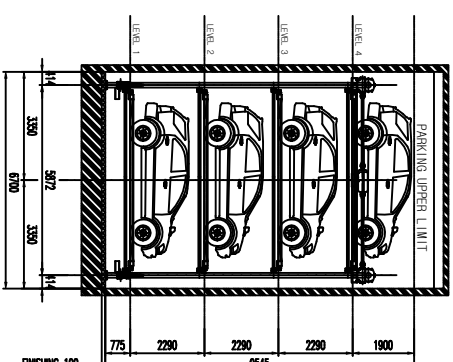
AUTO DOOR	1	
ENTRANCE	2500(W) X 2100(H)	mm
DOOR TYPE	2-UP PANNEL TYPE	
MOTOR	0.2KW X 4Φ X 1/20	
OPEN/CLOSE SPEED	20	m/min
ELECTRIC POWER SOURCE	380V/40Hz/3Φ	



SECTION VIEW "A" - "A"



FRONT VIEW



SECTION VIEW "B" - "B"